

QSI LASER DIODE SPECIFICATIONS FOR APPROVAL

Customer :.

Model : QL65F73A/B

TENTATIVE

Signature of Approval

Approved by _____

Checked by _____

Issued by _____

Approval by Customer



QSI Co., Ltd.

315-9, Cheonheung-ri, Sungger-eup,
Cheonan-city, Chungnam, Korea 330-836

WWW.QSILaser.com

QL65F73A/B

InGaAIP Laser Diode

Quantum Semiconductor International Co., Ltd.

Ver. 1 OCT. 2014

◆ OVERVIEW

QL65F73A/B is a MOCVD grown 650nm band *InGaAIP* laser diode with quantum well structure. It's an attractive light source, with a typical light output power of 10mW for optoelectronic devices such as Laser Pointer & Bar Code Reader.

◆ APPLICATION

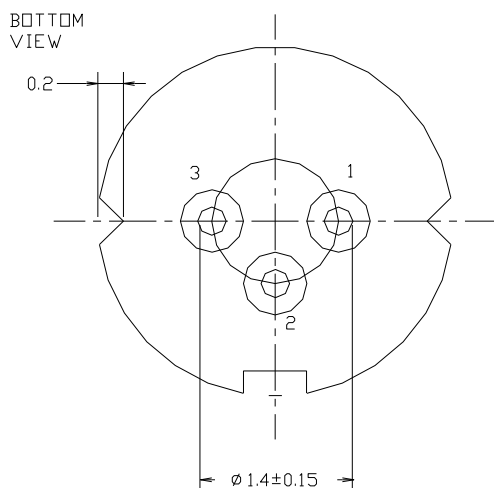
- Gun Sight
- Medical Device
- Sensor

◆ FEATURES

- Visible Light Output : $\lambda_p = 650 \text{ nm}$
- Optical Power Output : 10mW CW
- Package Type : TO-CAN (3.3mm ϕ , with window glass)
- Built-in Photo Diode for Monitoring Laser Diode

◆ ELECTRICAL CONNECTION

Bottom View



Pin Configuration

A	LD cathode, PD anode (Fig. 1)
B	LD, PD anode (Fig. 2)

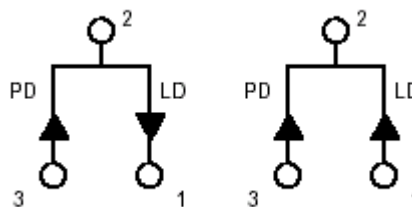


Fig. 1

QL65F73A

Fig. 2

QL65F73B

◆ ABSOLUTE MAXIMUM RATING at Tc=25°C

Items	Symbols	Values	Unit
Optical Output Power	P	12	mW
Laser Diode Reverse Voltage	V	2	V
Photo Diode Reverse Voltage	V	30	V
Operating Temperature	Topr	-10 ~ +70	°C
Storage Temperature	Tstg	-40 ~ +85	°C

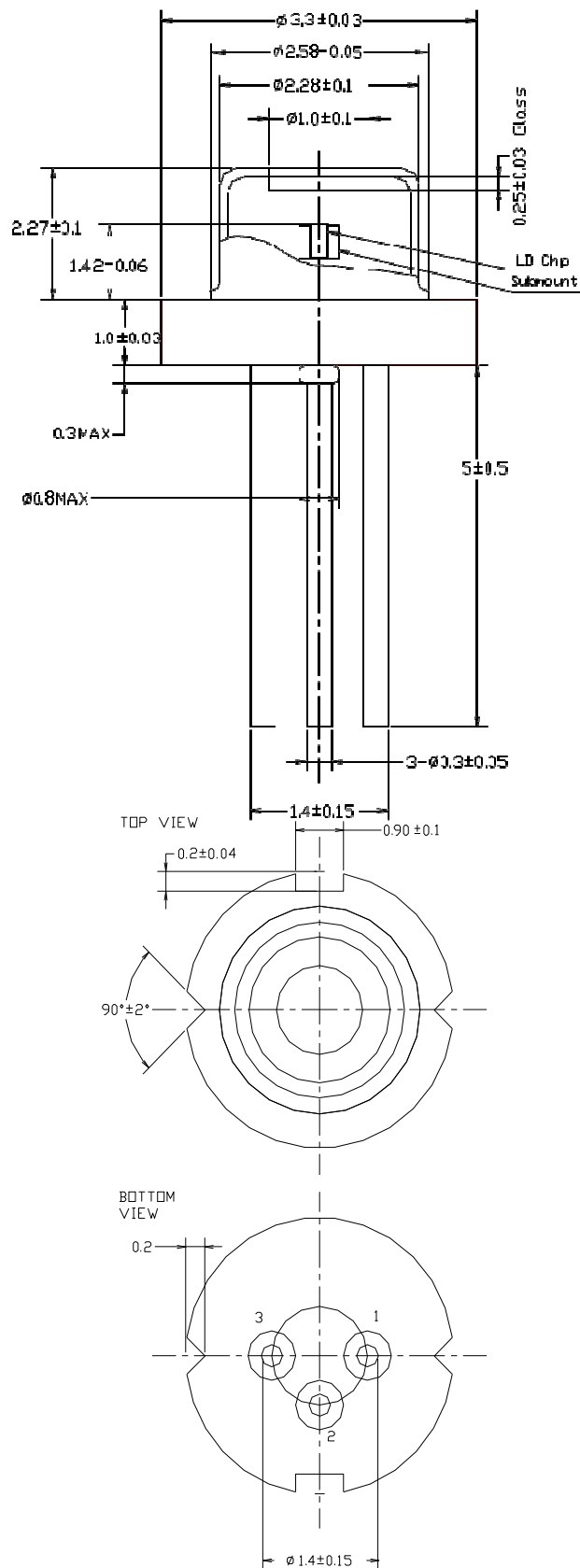
◆ ELECTRICAL and OPTICAL CHARACTERISTICS at Tc=25°C

Items	Symbols	Min.	Typ.	Max.	Unit	Condition
Optical Output Power	Po	-	10	-	mW	-
Threshold Current	Ith	-	15	23	mA	-
Operating Current	Iop	-	27	38	mA	Po=10mW
Operating Voltage	Vop	1.9	2.3	2.6	V	Po=10mW
Slope Efficiency	SE	0.8	1.0	1.3	mW/mA	Po=10mW
Lasing Wavelength	λ_p	645	655	665	nm	Po=10mW
Beam Divergence	$\theta_{ }$	5	9	13	deg	Po=10mW
	θ_{\perp}	22	28	35	deg	Po=10mW
Beam Angle	$\Delta\theta_{ }$	-	-	±3.0	deg	Po=10mW
	$\Delta\theta_{\perp}$	-	-	±3.0	deg	Po=10mW
Monitor Current	I _m	0.05	0.2	0.5	mA	Po=10mW
Optical Distance	$\Delta X, \Delta Y, \Delta Z$	-	-	±60	μm	-

NOTICE : QL65F73A/B to be operated on APC circuit.

The above product specifications are subject to change without notice.

◆ PACKAGE DIMENSION



◆ PACKING

